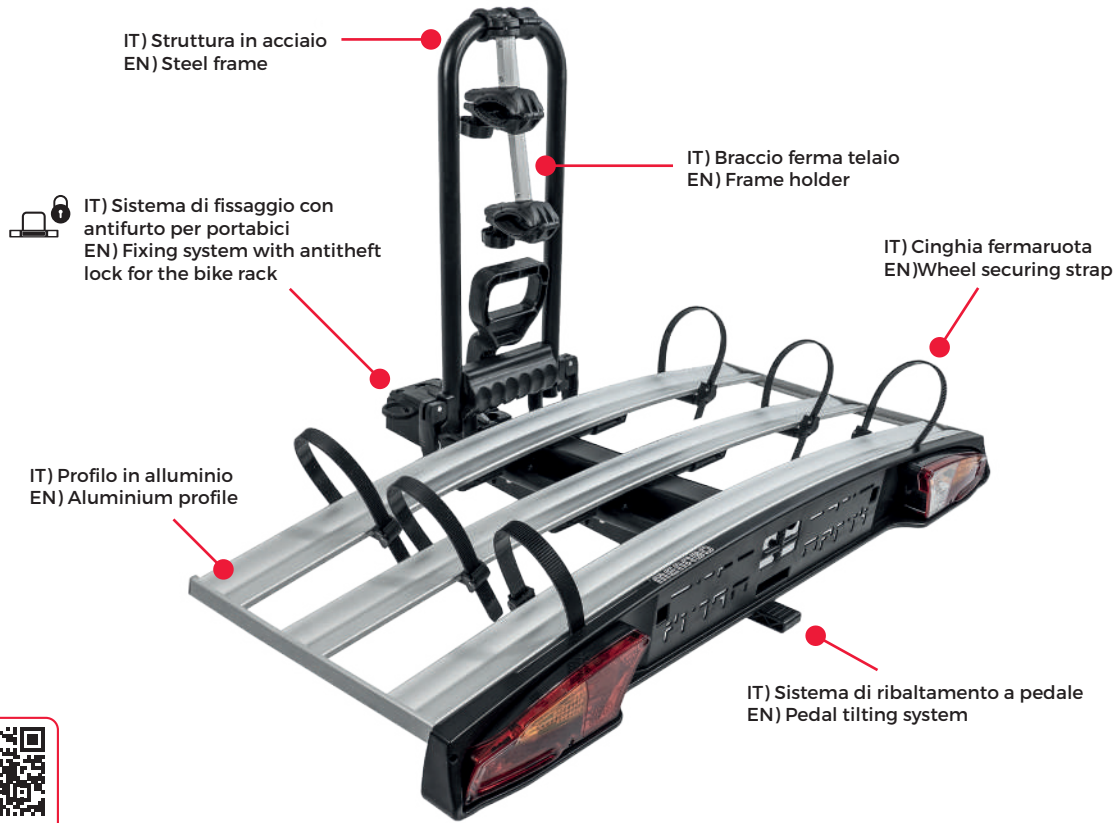


ALCOR



CITY CRASH
TESTED ✓



2X ALCOR	3X ALCOR 3	4X ALCOR 4	TILTING SYSTEM	RAPID LOCK		13 PIN
-------------	---------------	---------------	----------------	------------	--	--------

IT) Portabici da gancio con struttura in acciaio e profili in alluminio. Compatibile con e-bike e fat bike, dotato di sistema di ribaltamento per accedere agevolmente al baule dell'auto con il portabici installato sul gancio traino. Completo di serratura antifurto. Disponibile in 3 modelli.

EN) Steel frame (with aluminium rails) towbar bike rack. Suitable for E-bikes and fat bikes. Tilting system to allow an easy access to the trunk. Double antitheft system. Available in 3 models.



Alcor
Art. 000113000000



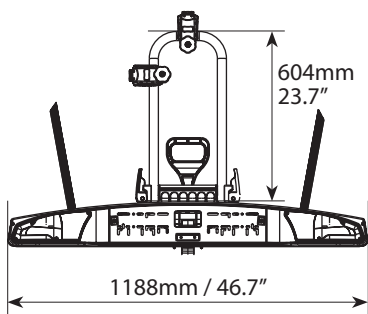
Alcor 3
Art. 000112700000



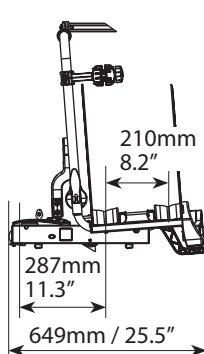
Alcor 4
Art. 000118300000



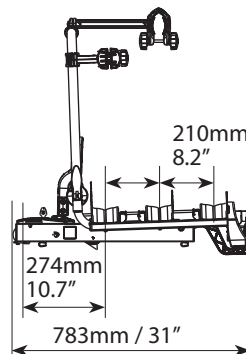
ALCOR 2 / 3 / 4



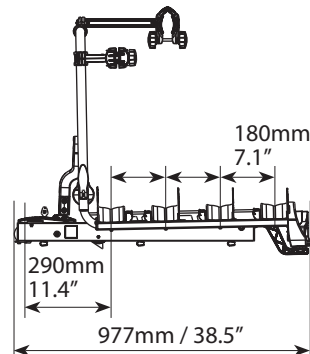
ALCOR 2



ALCOR 3




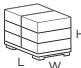



ALCOR 4



Art.	Alcor	000113000000
	Alcor 3	000112700000
	Alcor 4	000118300000
	Alcor	16,2kg/35.3lb
	Alcor 3	18kg/39.7lb
	Alcor 4	19,8kg/43.6lb
Materiale Material Matière	Alluminio e acciaio Aluminium and steel Aluminium und Stahl Aluminio y acero Aluminium et acier	
	Alcor	max 60kg / 132lb
	Alcor 3	max 60kg / 132lb
	Alcor 4	max 60kg / 132lb
	✓	
	Optional Art.000026400000	
Max	Alcor	2
	Alcor 3	3
	Alcor 4	4
Fat bike	✓	
E-bike	✓	

**COMPATIBILITÀ BICI
BIKE COMPATIBILITY
VÉLOS COMPATIBLES
BICICLETAS COMPATIBLES
UNTERSTÜTZTE FAHRRÄDER**

Mod.					
ALCOR / ALCOR 3 / ALCOR 4	min: 30mm/1.2" max: 50mm/2.3"	min: 30x60mm/1.2x2.3" max: 50x70mm/2x2.7"	min 22" max 29"	max 110mm/4.3"	max 1260mm/49.6"

Mod.	ALCOR 2	ALCOR 3	ALCOR 4
Art.N°	000113000000	000112700000	000118300000
	L x W x H : 120x21,5x79 cm / 47.2x8.4x31.1" 📦 20 Kg / 44.1lb	L x W x H : 120x21,5x79 cm / 47.2x8.4x31.1" 📦 22 Kg / 48.5lb	L x W x H : 120x21,5x79 cm / 47.2x8.4x31.1" 📦 24 Kg / 53lb
	L x W x H : 120x80x187 cm / 47.2x31.5x73.6" 📦 181 Kg / 399lb Pz: 8	L x W x H : 120x80x187 cm / 47.2x31.5x73.6" 📦 197 Kg / 434.3lb Pz: 8	L x W x H : 120x120x144 cm / 47.2x47.2x56.7" 📦 165 Kg / 363.7lb Pz: 6
Ean-13	 8 003168 040156	 8 003168 040095	 8 003168 043614

F.lli Menabò s.r.l.

Via 8 Marzo 3,
42025 Cavriago (RE), Italy
+39-0522/942840
info@flli-menabo.it
www.menabocaraccessories.com